

Swivel Clamp Connectors

Aluminum / Stainless Steel

SPECIFICATION

Identification no.

No. **2**: With stainless steel socket cap screw DIN 912

Aluminum

- Powder coated
Black, RAL 9005, textured finish **SW**
- Plain, matte shot-blasted **BL**

Stainless steel AISI CF-8 **NI**

Matte shot-blasted

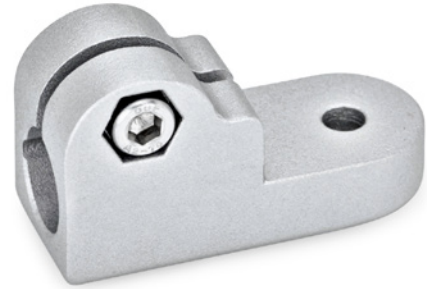
Socket cap screws DIN 912

Stainless steel AISI 304

Hex nuts DIN 985

Stainless steel AISI 304

Self-locking via polyamide ring



INFORMATION

The clamping bore of swivel clamp connectors GN 275 is mechanically machined and designed for construction tubes GN 990 (see page 1902) or DIN 2391, DIN 2395 and DIN 2462.

At the screw location **z**, the socket cap screw reduces the bore cross-section for clamping.

For clamping without tools, the socket cap screw can be replaced by an adjustable hand lever GN 911 (see page 1874) / GN 911.3 (see page 1875) listed in the table as accessory.

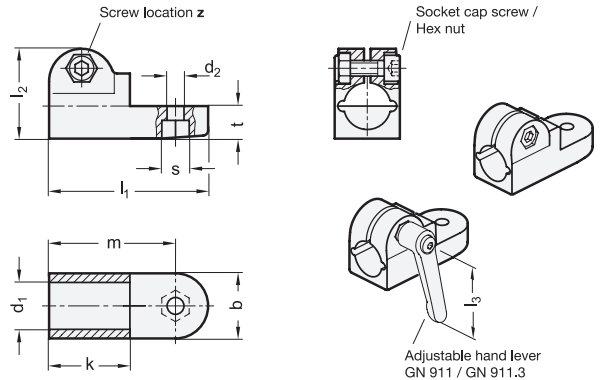
Swivel clamp connectors GN 275 can be combined with swivel clamp connectors GN 271 (see page 1847), GN 275 (see page 1854) or GN 277 (see page 1855) to swivel clamp connector joints.

ACCESSORY

- Adjustable Hand Levers GN 911 (see page 1874) / GN 911.3 (see page 1875)

TECHNICAL INFORMATION

- Stainless Steel Characteristics (see page A26)



* Complete with

SW BL
RAL9005 Plain

GN 275-AL

Description	d ₁ Bore	b	d ₂	k	l ₁	l ₂	m	s	t	z Screw location	Accessory Recom. hand lever GN 911 for z l ₃	⚖
GN 275-B12-2-*	B 12	25	6.5	31.5	61	34.5	48.5	10	12.5	M6-20	63 -	74
GN 275-B14-2-*	B 14	25	6.5	31.5	61	34.5	48.5	10	12.5	M6-20	45 63	72
GN 275-B15-2-*	B 15	25	6.5	31.5	61	34.5	48.5	10	12.5	M6-20	45 63	70
GN 275-B16-2-*	B 16	25	6.5	31.5	61	34.5	48.5	10	12.5	M6-20	45 63	68
GN 275-B18-2-*	B 18	25	6.5	31.5	61	34.5	48.5	10	12.5	M6-20	45 63	65

Weight SW

GN 275-NI

STAINLESS STEEL

Description	d ₁ Bore	b	d ₂	k	l ₁	l ₂	m	s	t	z Screw location	Accessory Recom. hand lever GN 911.3 for z l ₃	⚖
GN 275-B12-2-NI	B 12	25	6.5	31.5	61	34.5	48.5	10	12.5	M6-20	-	180
GN 275-B14-2-NI	B 14	25	6.5	31.5	61	34.5	48.5	10	12.5	M6-20	-	173
GN 275-B15-2-NI	B 15	25	6.5	31.5	61	34.5	48.5	10	12.5	M6-20	-	169
GN 275-B16-2-NI	B 16	25	6.5	31.5	61	34.5	48.5	10	12.5	M6-20	-	163
GN 275-B18-2-NI	B 18	25	6.5	31.5	61	34.5	48.5	10	12.5	M6-20	63 -	154
GN 275-B20-2-NI	B 20	25	6.5	31.5	61	34.5	48.5	10	12.5	M6-20	45 63	141